

Compact Circuit Disconnect (CCD)

UL 98 non-fused disconnect switches up to 400 A (cat. no. CCD2)



CCD switch



200 A CCD switch



400 A CCD switch

Contents

Page

30, 60 and 100 amp switches

Descriptions and specifications 2-3
 Catalog numbers 4
 Terminal data 4
 Dimensions 5-6

200 and 400 A switches

Descriptions and specifications 7
 Catalog numbers and horsepower ratings 8
 Dimensions 9-10

Accessories

Multi-wire lug kits
 30, 60 and 100 A switches 11
 200 and 400 A switches 12
 Handles and shafts
 Selector and pistol handles 13
 Handle shafts 14
 Flange handle rod and cable operators 15

200 and 400 A switches
 Front and side rotary mechanisms 16
 Terminal shroud kits 16
 Phase barrier kits 16
 Handle extension 16
 Spacer (400 A) 16
 Auxiliary contacts
 30, 60 and 100 A switches 17
 200 and 400 A switches 18

How to order

30 and 60 A switches 19-22
 100 A switches 23-26
 200 A switches 27-28
 400 A switches 29-30

Catalog symbols

Symbol	Description
CCD2-3-(30/60/100)	Switch only
CCD2R-3-(30/60/100)	Right front rotary, clockwise operated switch
CCD2RL-3-(30/60/100)	Left front rotary, clockwise operated switch
CCD2S-3-(30/60/100)	Right side rotary, clockwise operated switch
CCD2SL-3-(30/60/100)	Left side rotary, counterclockwise operated switch

Description

The revolutionary Bussmann™ series Compact Circuit Disconnect (CCD) is a non-fused UL® 98 branch circuit disconnect switch.

The 35 mm DIN-Rail mount CCD is available in a variety of 30, 60 and 100 amp configurations to meet many application needs, including rotary operation.

Application flexibility is extended with an optional multi-wire lug kit, featuring finger-safe shrouds, that provides three additional wire ports on each pole for power distribution applications.

Another is the NO/NC auxiliary contacts accessory that easily integrates into many monitoring systems.

Front and side rotary operated versions are easily applied for through-the-door or through the left or right side operation to enhance safety.

Ratings

- Volts
 - 600 Vac
 - 125 Vdc*
- Amps
 - 30 A
 - 60 A
 - 100 A
- SCCR
 - 10 kA RMS Sym.
 - 200 kA when protected with upstream Bussmann series Class CF, J or T fuses with equivalent amp rating

* Switch amp rating and load current dependent, see catalog number table for details.

Poles

- 3-poles catalog number dependent

Agency information

- UL 98 Listed, Guide WHTY, File E302370
- cULus to Canadian Standard 22.2 No. 4-04, Guide WHTY7, File 302370
- RoHS compliant
- CSA Certified, C22.2 No. 4, Class 4651-02, File 150484
- CE

Conductors/terminals

- 75°C Cu only, see conductor tables for size, type and torque information
- Box lug, single/dual conductor
- Fork terminal suitable for line, load or accessory connection, max. 30 A suitable for use with:
 - 10-24 screw for 30 and 60 A switches
- Multi-wire lug kit — see accessories for details

Storage and operating temperature

- - 20°C to 75°C (-4°F to 167°F)

Lockout/tagout provisions

- 1/4" lock

Minimum enclosure size

- 30 and 60 A switches 10" x 8" x 6" (254 x 203 x 152 mm)
- 100 A switch 12" x 10" x 6" (305 x 254 x 152 mm)

Mounting

- 35 mm DIN-Rail

Accessories

- Multi-wire lug kit with terminal shrouds
- Selector and pistol handles for use with rotary operated switches
- 8 mm shafts for use with selector and pistol handles
- Auxiliary contacts

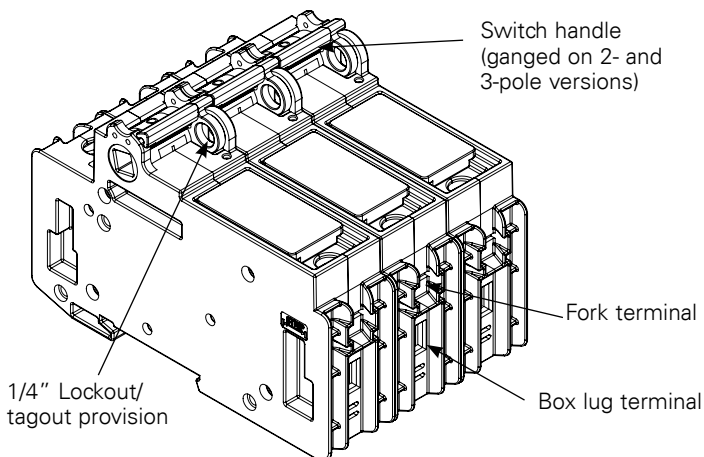
Carton quantity and shipping weight

Item	Poles	Weight lbs (kg)
Switch only	12	2.84 (1.29)
Switch with side rotary mechanism	3	1.12 (509)
Switch with front rotary mechanism	3	1.18 (0.537)

Features

- Same footprint as fusible CCP-CF allows for design flexibility
- Extremely compact design at 25.4 mm (1 inch) wide per pole
- 10 kA short-circuit current rating that can be raised to 200 kA when protected by upstream Bussmann series Class CF, J, or T fuses of equivalent amp rating
- Disconnect rated to provide means for load isolation
- Full voltage rated at 600 Vac
- 125 Vdc* ratings to meet specialized applications
- UL 98 Listed and suitable for branch circuit disconnect
- Horsepower rated for motor applications
- Complies with UL 98 and Canadian Standard 22.2 No. 4-04, Guide WHTY7, File 302370 to cULus
- IP20 finger-safe construction with 10 AWG (6 mm²) wire or larger
- Padlockable for lockout/tagout procedures with 1/4" lock
- Rotary operated versions provide for through-the-door and through-the-side operation flexibility and enhanced safety with:
 - Right front switch operation
 - Left front switch operation
 - Right side switch operation
 - Left side switch operation
- Optional selector and pistol handles available for use with rotary operated versions
- Multi-wire lug kit with terminal shrouds allows for power distribution to multiple loads. Each lug has three ports rated for single and dual wires (see lug kit in accessories for conductor and torque details).

* Switch amp rating and load current dependent, see catalog number table for details.



Rotary operating switch versions



Left front rotary switch

Clockwise operating handles



Right front rotary switch

Clockwise operating handles



Right side rotary switch

Clockwise operating handles



Left side rotary switch

Counterclockwise operating handles

Catalog numbers

Catalog no.	Poles	Description	Volts	SCCR	Max Hp rating (Vac)		
					240	480	600
30 amp switches							
CCD2-3-30		Switch only					
CCD2R-3-30		Right front rotary, clockwise operated switch					
CCD2RL-3-30	3	Left front rotary, clockwise operated switch	600 Vac/125 Vdc	10 kA AC [†]	5	15	10
CCD2S-3-30		Right side rotary, clockwise operated switch					
CCD2SL-3-30		Left side rotary, counterclockwise operated switch					
60 amp switches							
CCD2-3-60		Switch only					
CCD2R-3-60		Right front rotary, clockwise operated switch					
CCD2RL-3-60	3	Left front rotary, clockwise operated switch	600 Vac/125 Vdc*	10 kA AC [†]	7.5	20	10
CCD2S-3-60		Right side rotary, clockwise operated switch					
CCD2SL-3-60		Left side rotary, counterclockwise operated switch					
100 amp switches							
CCD2-3-100		Switch only					
CCD2R-3-100		Right front rotary, clockwise operated switch					
CCD2RL-3-100	3	Left front rotary, clockwise operated switch	600 Vac/125 Vdc**	10 kA AC [†]	20	50	40
CCD2S-3-100		Right side rotary, clockwise operated switch					
CCD2SL-3-100		Left side rotary, counterclockwise operated switch					

* 125 Vdc for loads up to 40 A, 24 Vdc for loads from 41 to 60 A.

** 125 Vdc for loads up to 80 A, 24 Vdc for loads from 81 to 100 A.

† 200kA when protected by upstream Bussmann class CF, J or T fuses with equivalent amp rating

100 A and below Flange operators (not compatible with units with mechanisms already installed)

CCP2-FLC1-xxx Flange cable operator (36, 36X, 60, 60X, 120 and 120X)

CCP2-FLR1-xxx Flange rod operator (21 and 21X)

30 and 60 amp switch box lug terminal conductor data

Wire type	AWG range	Class	Quantity	Torque N·m (lb-in)
75°C Cu	4-6	Stranded, Class B to K	Single	3.95 (35)
	8-18			2.26 (20)
	6-8	Stranded, Class B/C	Dual	3.39 (30)
				Stranded, Class K
	10-18	Stranded, Class B to K	Single/dual	2.26 (20)
	10-18	Solid		2.26 (20)
	4-18	Stranded, UL ferrule, Class B/C	Twin [†]	3.39 (30)
				6-18
	4-18	Stranded, UL ferrule, Class K	Twin [†]	2.82 (25)
				6-18

† Two stranded conductors placed in one UL Listed twin ferrule.

100 amp switch box lug terminal conductor data

Wire type	AWG range	Class	Quantity	Torque N·m (lb-in)
75°C Cu	12-18	Stranded, Class B to K	Single	2.26 (20)
	10			2.82 (25)
	8	Stranded, Class B to K	Single	4.52 (40)
	4-6			5.08 (45)
	1-3	Stranded, Class B to K	Dual	6.21 (55)
	3-12			3.95 (35)
	12-18	Stranded, UL ferrule, Class B/C	Single	2.26 (20)
	10			3.95 (35)
	1-8	Stranded, UL ferrule, Class B/C	Twin [†]	4.52 (40)
	10-18			2.26 (20)
	6-8	Solid	Single	2.82 (25)
	10-18			2.26 (20)
	10-18	Solid	Dual	2.26 (20)
	8-18			2.26 (20)
	1-6	Class K	Single	3.39 (30)
	3-10			5.08 (45)
	8-18	Class K, UL ferrule	Single	2.26 (20)
	1-6			3.39 (30)
	6-18	Class K, UL ferrule	Twin	2.26 (20)
	6-18			2.26 (20)

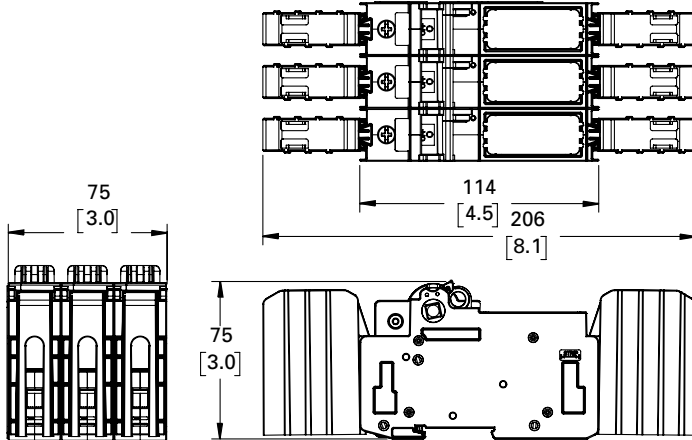
† Two stranded conductors placed in one UL Listed twin ferrule.

Lineside and loadside fork terminal

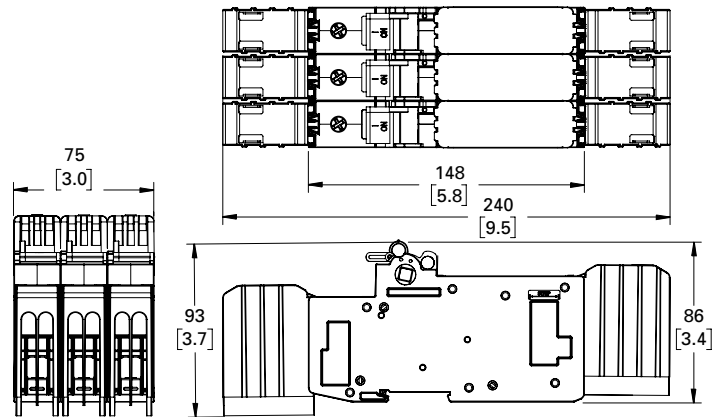
- Fork terminal suitable for line, load or accessory connection, max. 30 A suitable for use with 10-24 screw for 30 A and 60 A switches

Dimensions – mm (in)

Switch (shown with optional terminal shrouds)

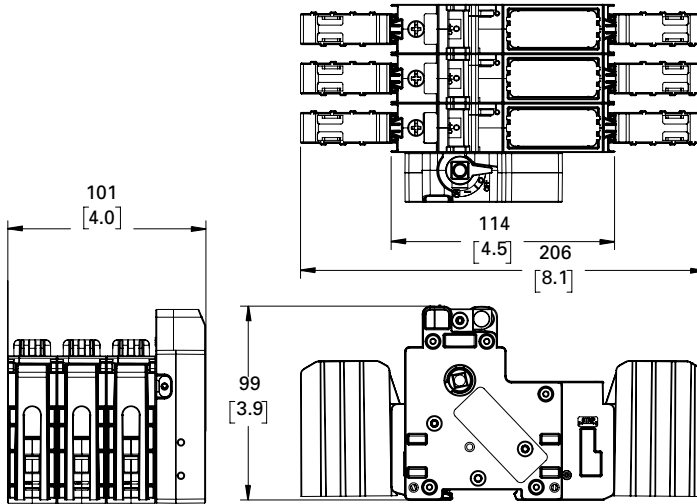


30 and 60 amp switches

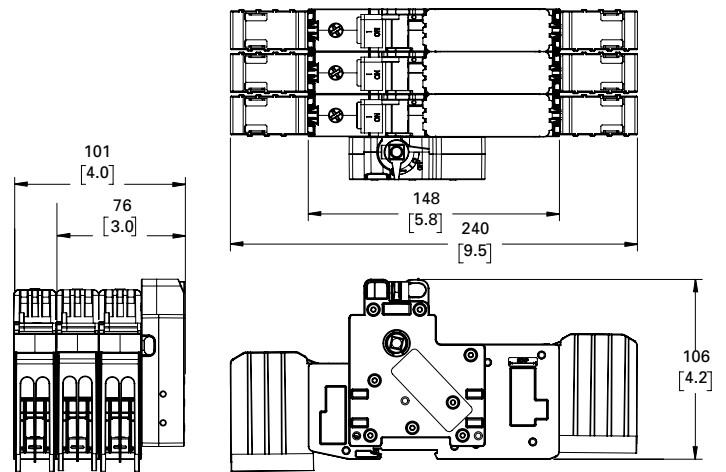


100 amp switch

Left front rotary switches (shown with optional terminal shrouds)

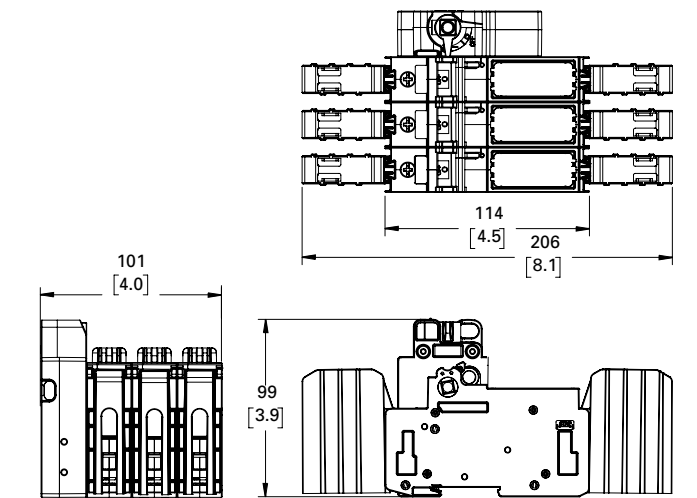


30 and 60 amp switches

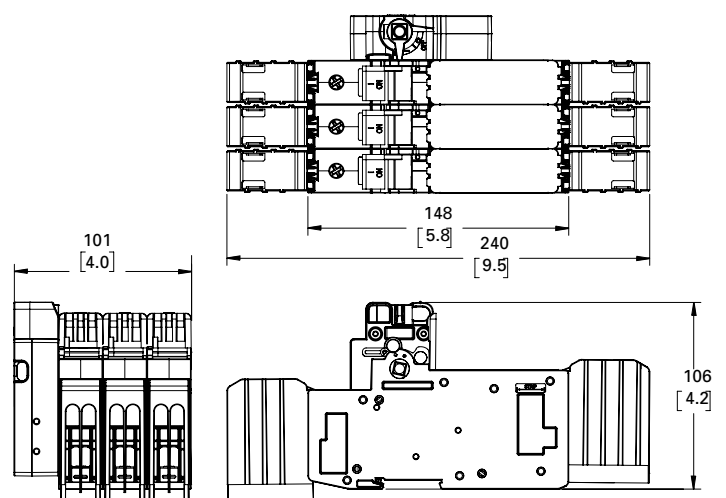


100 amp switch

Right front rotary switches (shown with optional terminal shrouds)

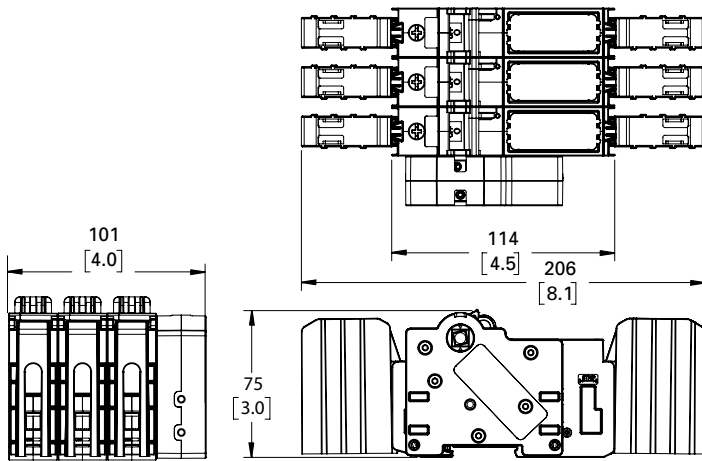


30 and 60 amp switches

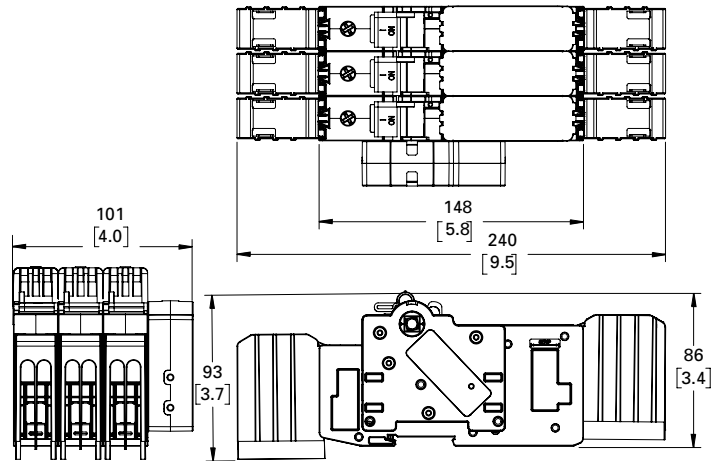


100 amp switch

Left side rotary switches (shown with optional terminal shrouds)

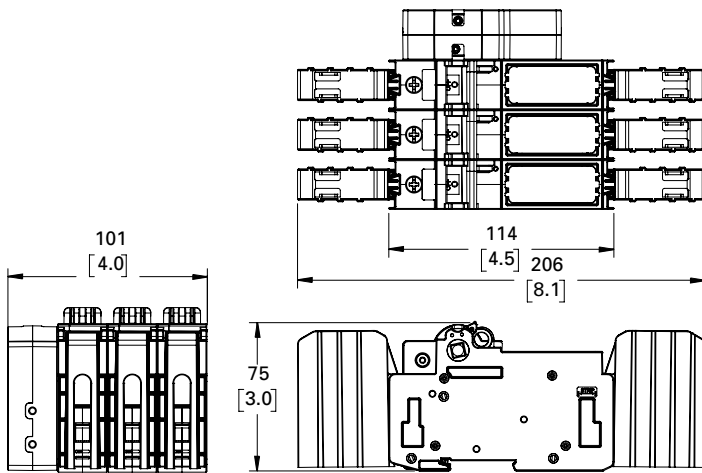


30 and 60 amp switches

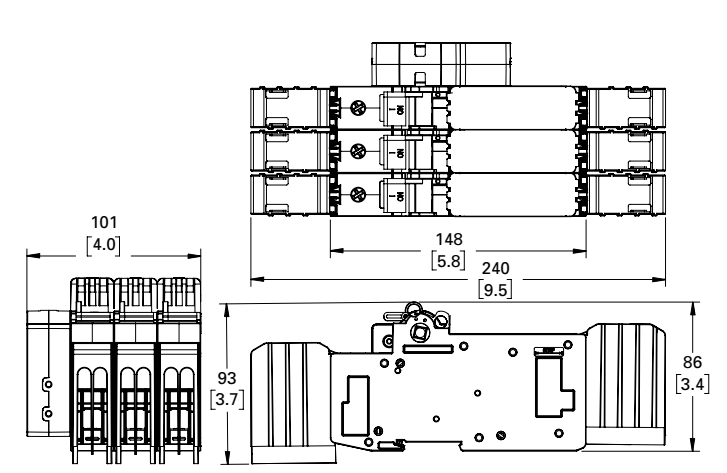


100 amp switch

Right side rotary switches (shown with optional terminal shrouds)



30 and 60 amp switches



100 amp switch

200 and 400 A switches



200 A switch



400 A switch



With front rotary accessory



With side rotary accessory

Catalog no.	Poles	Amps	Description
CCD2-3-200	3	200	Switch only
CCD2-3-400	3	400	Switch only

Description

The Bussmann series 200 and 400 A Compact Circuit Disconnect (CCD) switches are available with a variety of accessories to meet many application needs including rotary and flange handle operation.

Rotary operators are available for front or side (right or left) operation. Front rotary operators are for three-pole switches only while the side operator may be applied to the right or left side of 1-, 2- and 3-pole units.

Other accessories include lugs, terminal shrouds, rotary pistol handles, flange rod and cable operating mechanisms, NO/NC auxiliary contacts that easily integrate into various monitoring systems and a handle extension.

Front and side rotary operated versions are easily applied for through-the-door or through the left or right side operation to enhance safety.

Ratings

- Volts
 - 600 Vac (3-pole)
- Amps
 - 200 A
 - 400 A
- SCCR
 - 10 kA RMS Sym. (200 kA when protected by upstream Bussmann class CF, J or T fuses with equivalent amp rating)

Poles

- 3-poles catalog number dependent

Agency information

- UL 98 Listed, Guide WHTY, File E302370
- CSA Certified, C22.2 No. 4, Class 4651-02, File 150484
- cULus to Canadian Standard 22.2 No. 4-04, Guide WHTY7, File E302370
- RoHS compliant

Conductors/terminals

- See available lug table for size, type and torque information

Storage and operating temperature

- -20°C to 75°C (-4°F to 167°F)

Lockout/tagout provisions using 1/4" lock

- Integral with switch handle
- Front rotary operating mechanism
- Rotary pistol handles
- Flange rod and cable operators

Minimum enclosure size

- 200 A switch 16 x 12 x 6" (405 x 305 x 150 mm)
- 400 A switch 24 x 16 x 8" (610 x 405 x 200 mm)

Mounting

- Panel mount

Accessories

- Lugs and lug kits with terminal shrouds
- Pistol handles for use with rotary operated switches
- NFPA 79 compliant handle
- 12 mm shafts for use with selector and pistol handles
- Auxiliary contacts
- Flange handle rod and cable operators

Carton quantity

Item	Poles	Qty.
200 amp switches	3	1
400 amp switches	3	2

Features

- Disconnect rated to provide means for load isolation
- Full voltage rated at 600 Vac
- UL 98 Listed and suitable for branch circuit disconnect and branch circuit protection
- Horsepower rated (see table below)
- Padlockable for lockout/tagout procedures with a 1/4" lock
- Front and side rotary operator accessories provide for through-the-door and through-the-side operation flexibility and enhanced safety
- Optional pistol handles and shafts available for use with rotary operator accessories
- Multi-wire lug kits with terminal shrouds allow for power distribution to multiple loads.

Catalog numbers and horsepower ratings

Catalog no.	Poles	Description	Volts AC	SCCR	Max Hp rating (Vac)		
					240	480	600
200 amp switches							
CCD2-3-200	3	Switch only	600	10 kA†	50	100	150
CCD2-3-400	3	Switch only	600	10 kA†	100	200	350

† 200kA when protected by upstream Bussmann class CF, J or T fuses with equivalent amp rating

Available lugs, conductor ratings and terminal torques

Catalog no.	Description	Lugs per cat. no.	Wire range AWG (mm²)	Wire type/ temp.	Conductor torque N·m (lb-in)	Lug mounting screw torque N·m (lb-in)
200 A switches						
CCP2-L2-1	Stainless steel lug	1	350-4 (185-25)	Cu 75°C	20.3 (180)	13.5 (120)
CCP2-L2-1A	Aluminum lug*	1	350-4 (185-25)	Cu/Al 75°C	28.2 (250)	13.5 (120)
CCP2-MW2-3	3-port multi-wire terminal with shroud*	3	2-14 (35-2.5)	Cu/Al 75°C	7.9 (70)	10.8 (95)
CCP2-MW2-6	6-port multi-wire terminal with shroud*	3	6-14 (16-2.5)	Cu/Al 75°C	2.8 (25)	10.8 (95)
400 A Switches						
CCP2-L4-1	Stainless steel lug	1	500-3 (240-35)	Cu 75°C	42.0 (375)	
CCP2-L4-1A	Aluminum lug	1	500-3 (240-35)	Cu/Al 75°C	42.0 (375)	
CCP2-L4B-3	Stainless steel lug kit with shroud	3	750-500 (400-240)	Cu 75°C	57.0 (500)	
CCP2-L4B-3A	Aluminum lug kit with shroud	3	750-500 (400-240)	Cu/Al 75°C	62.0 (550)	
CCP2-L6-3	2-port stainless steel lug kit with shroud	3	(2) 500-2 (240-35)	Cu 75°C	42.0 (375)	
CCP2-L6-3A	2-port aluminum lug kit with shroud	3	(2) 500-2 (240-25)	Cu/Al 75°C	42.0 (375)	
CCP2-L6-3CW	2-port stainless steel lug kit with shroud with control tab	3	(2) 500-2 (240-35)	Cu 75°C	42.0 (375)	22.0 (200)
CCP2-L6-3ACW	2-port aluminum lug kit with shroud with control tab	3	(2) 500-2 (240-25)	Cu/Al 75°C	42.0 (375)	
					10-14 = 3.9 (35)	
					8 = 4.5 (40)	
CCP2-MW6-6	6-port multi-wire terminal with shroud	3	1/0-14 (50-2.5)	Cu/Al 75°C	4-6 = 5.0 (45)	
					1/0-2 = 5.6 (50)	

* These lugs also accept 1/4" quick connect control wire terminals. Order catalog number CCP2-CWK2 (package of 12 terminals).

Carton quantity

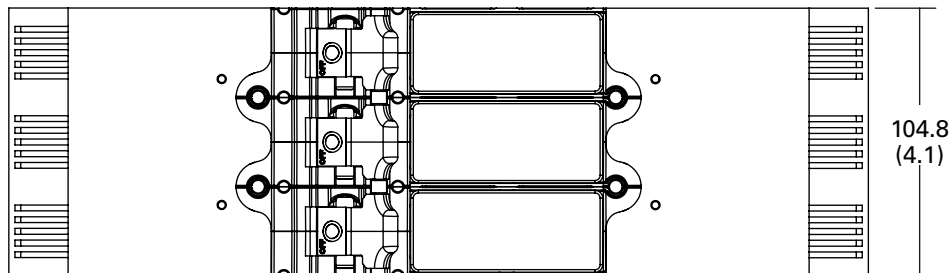
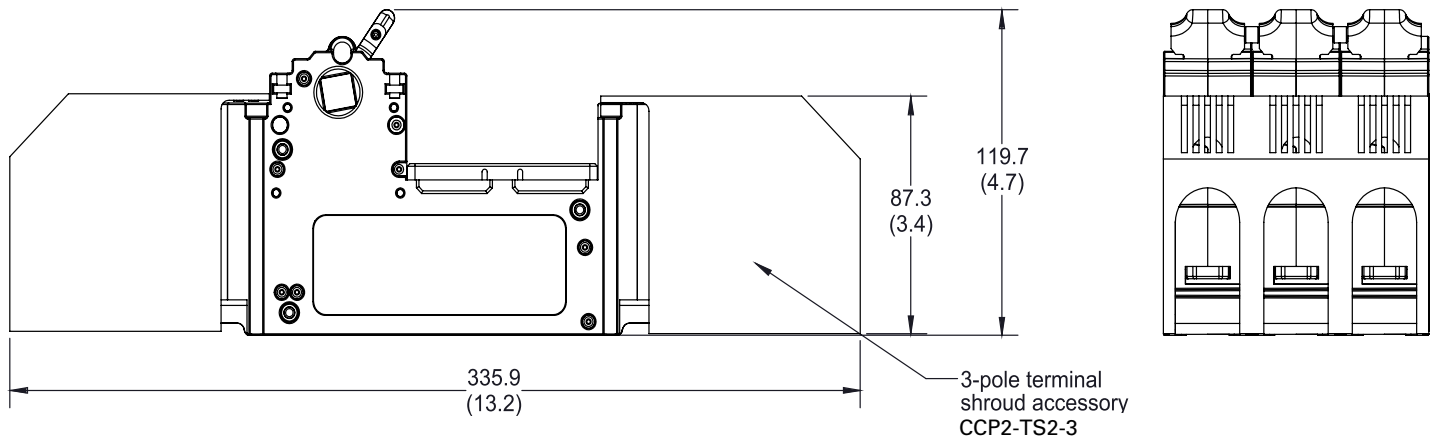
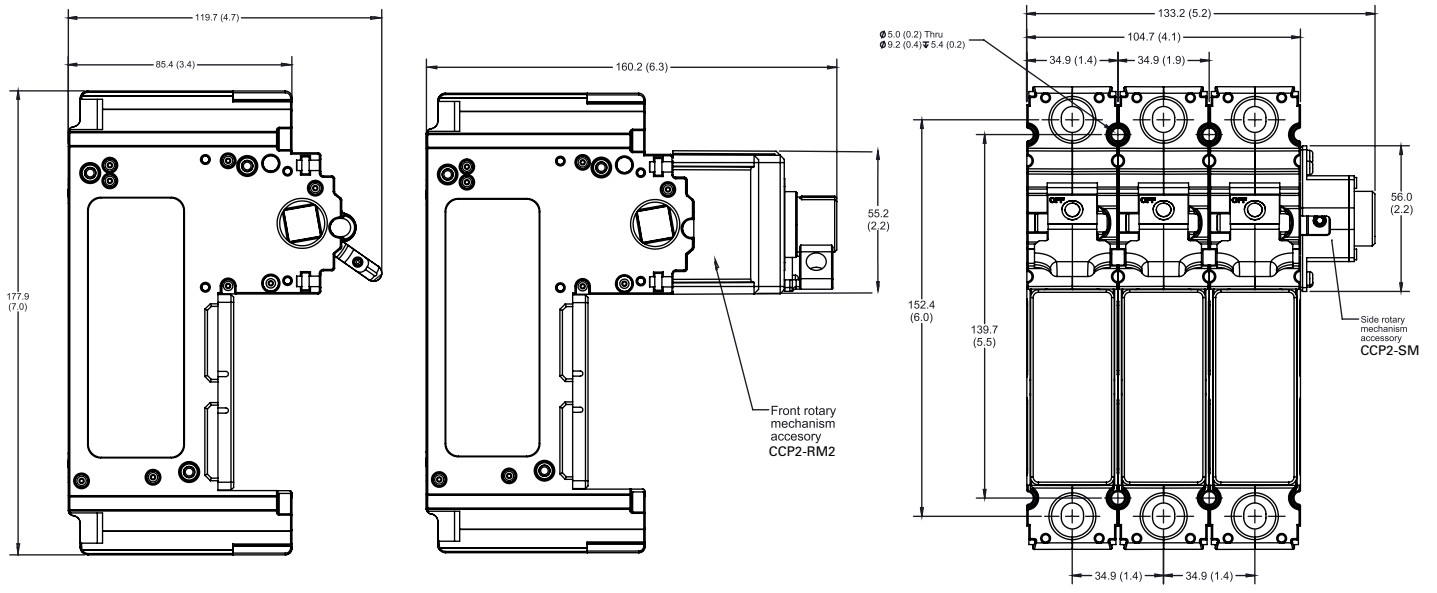
Catalog no.	Description	Qty.
CCP2-L2-1	Stainless steel lug	1
CCP2-L2-1A	Aluminum lug	1
CCP2-MW2-3	3-port multi-wire terminal with shroud	3
CCP2-MW2-6	6-port multi-wire terminal with shroud	3
CCP2-CWK2	1/4" quick connect control wire terminals	12
CCP2-L4-1	Stainless steel lug	1
CCP2-L4-1A	Aluminum lug	1
CCP2-L4B-3	Stainless steel lug kit with shroud	3
CCP2-L4B-3A	Aluminum lug kit with shroud	3
CCP2-L6-3	2-port stainless steel lug kit with shroud	3
CCP2-L6-3A	2-port aluminum lug kit with shroud	3
CCP2-L6-3CW	2-port stainless steel lug kit with shroud with control tab	3
CCP2-L6-3ACW	2-port aluminum lug kit with shroud with control tab	3
CCP2-MW6-6	6-port multi-wire terminal with shroud	3

Accessories

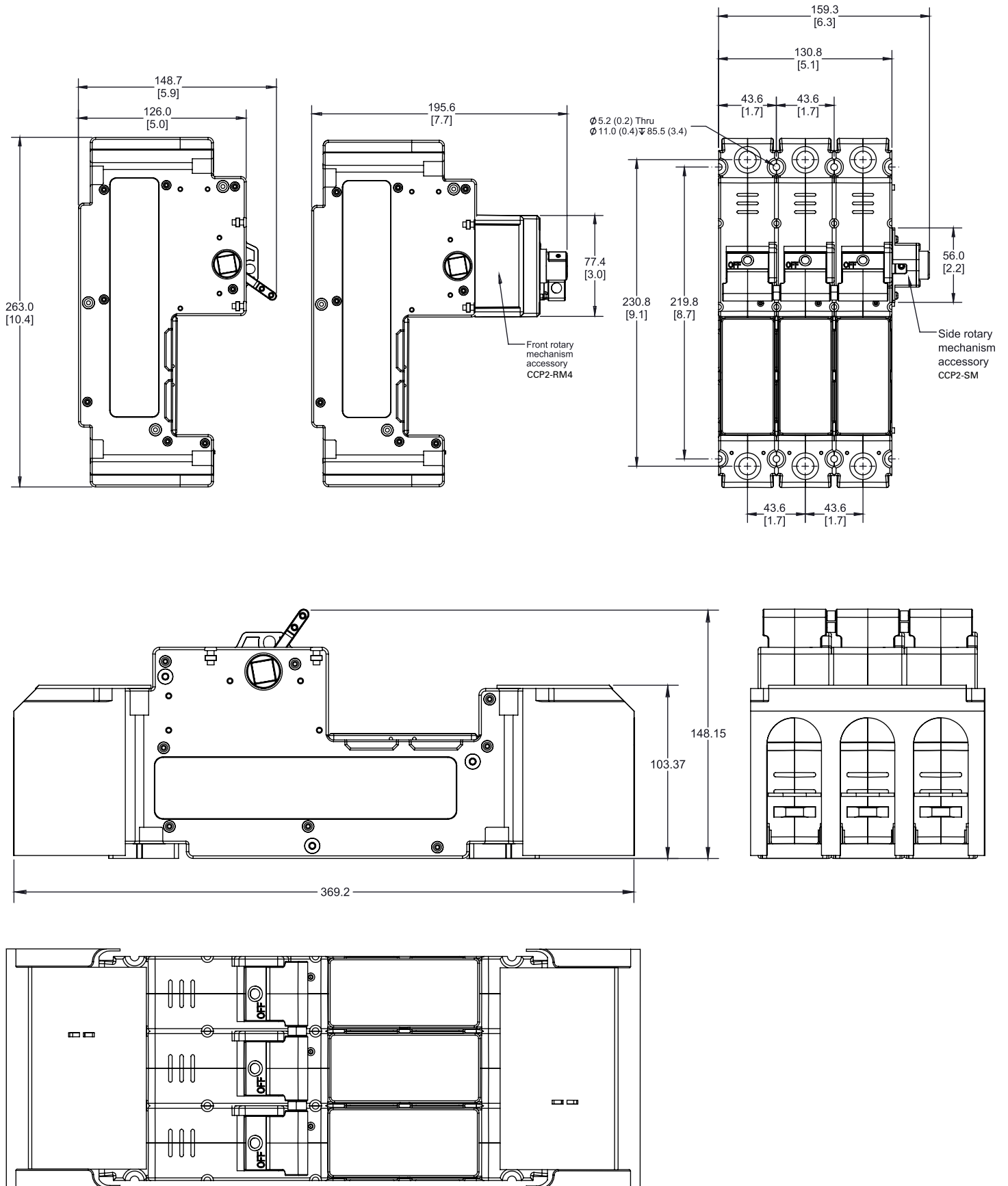
Catalog no.	Switch amps	Description
CCP2-TS2-3		3-pole terminal shroud
CCP2-PB2	200	Phase barriers (pack of 2)
CCP2-RM2		Front rotary operator* (3-pole switch only)
CCP2-SM		Side rotary operator* (1-, 2- or 3-pole switches)
CCP2-FLC2-xxx	200/400	Flange cable operator (36,36X,60,60X,120 and 120X)
CCP2-FLR2-xxx		Flange rod operator (21 and 21X)
CCP2-TS6-3		3-pole terminal shroud
CCP2-PB6	400	Phase barriers (pack of 2)
CCP2-SP4		Mounting spacer
CCP2-RM4		Rotary mechanism

* Complete installation requires pistol handle and shaft, order separately.

200 amp switch dimensions — mm (in)



400 amp switch dimensions – mm (in)



30, 60 and 100 A switch multi-wire lug kits

Catalog numbers

- CCP2-MW1-3 (30 and 60 A switches only)
- CCP2-MW1-6 (100 A switches only)
- CCP2-MW1-3C (100A switches only)

Description

The multi-wire lug kits permit expanding each box lug terminal on the switch into a three-port (30 and 60 A switches) or six-port (100 A switches) terminal for power distribution applications.

Each multi-wire lug kit comes with three lugs and three terminal shrouds. Shrouds provide finger-safe protection when properly installed.

Lugs may be mounted on either the loadside or lineside to meet various application needs.

Ports on any one lug accept any conductor combination listed, e.g., one of the ports may have dual 14 AWG wires and the other two ports single 10 AWG wires.

Ratings

- Volts 600 V
- Amps
 - 60 A max (CCP2-MW1-3)
 - 100 A max (CCP2-MW1-3C)
- SCCR 200 kA

Agency information

- UL Recognized, Guide WHTY2, File E302370
- RoHS compliant

Storage and operating temperature

- -20°C to 75°C (-4°F to 167°F)

Multi-wire lug conductor information

- 75°C Cu/Al
- AWG size and quantity per port - see table below

Type	AWG range	Class	Quantity	Torque N•m (lb-in)
Cu/Al	4-6	Stranded, Class B/C	Single	3.95 (35)
	8			2.82 (25)
	10-14			2.26 (20)
Cu	10-14	Solid	Single	2.26 (20)
	8			2.82 (25)
	10-14	UL ferrule, Class B to K	Single/twin†	2.26 (20)

* Dual wire to be same size and type.

† Two stranded conductors placed in one UL Listed twin ferrule.

ROW 2 Wire ranges 1-14 AWG				
Type	AWG range	Class	Single/dual	Torque N•m (lb-in)
Cu	1-3	Class G-K*	1	6.21 (55)
Cu/Al	1-3	Stranded, Class B/C	1	
Cu	4-6	Stranded, Class B/C	2	5.6 (50)
Cu	4-6	Class G-K*	1	
Cu/Al	4-6	Stranded, Class B/C	1	
Cu	8	Stranded, Class B/C	2	5.08 (45)
Cu	8	Class G-K*	1	
Al	8	Stranded, Class B/C	1	4.51 (40)
Cu	10-14	Stranded, Class B/C	2	
Cu	10-14	Stranded, Class B/C	1	3.95 (35)
Al	10-12	Stranded, Class B/C	1	

* Class G-K is FLEX fine stranded Class G, H, I, DLO, K (MTW) and mm² Class 5.

Multi-wire lug conductor information (continued)

75°C Cu/Al solid or stranded wire as detailed below.

ROW 1 Wire ranges 4-14 AWG				
Type	AWG range	Class	Quantity	Torque N•m (lb-in)
Cu/Al	4-6	Stranded, Class B/C	Single	3.95 (35)
	8			2.82 (25)
	10-14			3.39 (30)
Cu	10-14	Stranded, Class B/C	Single/dual*	2.26 (20)
	10-14			Solid
	8	UL ferrule, Class B to K	Single	2.82 (25)
	10-14			Single/twin†

* Dual wire to be same size and type.

† Two stranded conductors placed in one UL Listed twin ferrule.

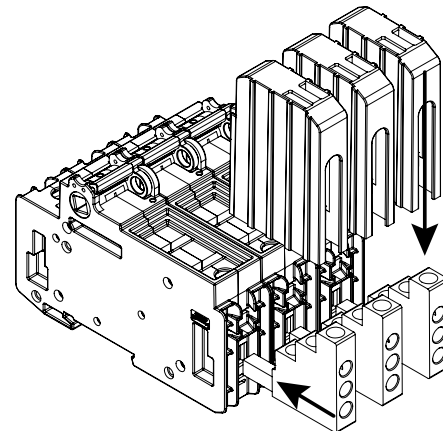
CCP box lug torque for multi-wire lugs

- 30/60 A switch lug, 4.52 N•m (40 lb-in)
- 100 A switch lug, 5.09 N•m (45 lb-in)

Carton quantity

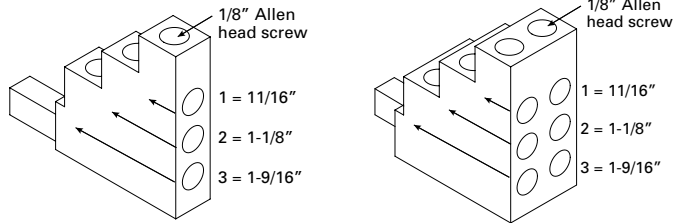
Catalog no.	Application	Qty.
CCP2-MW1-3	For 30/60 A switches only	3 lugs and 3 shrouds
CCP2-MW1-6	For 100 A switches only	
CCP2-MW1-3C	For 100 A switches only	

Installed on CCD2-3-xx

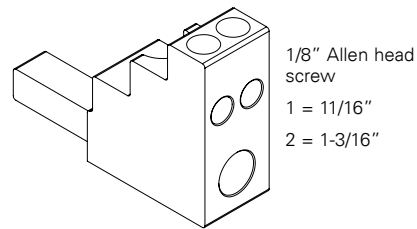


Multi-wire lugs mount in switch box lug terminals to provide three additional wire ports per pole. Lugs can be mounted on the switch lineside or loadside. Each multi-wire lug kit comes with three lugs and three shrouds.

Wire insulation strip lengths



Wire insulation strip lengths

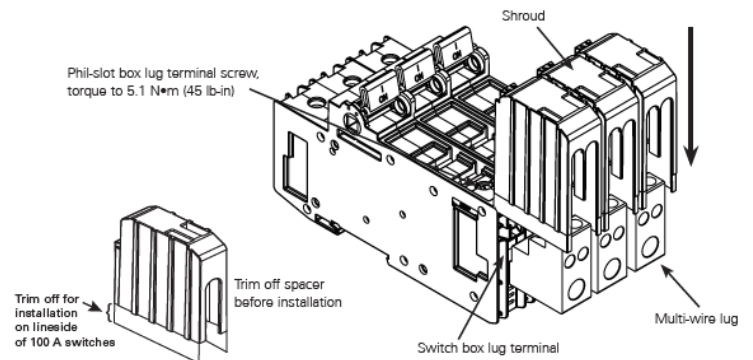
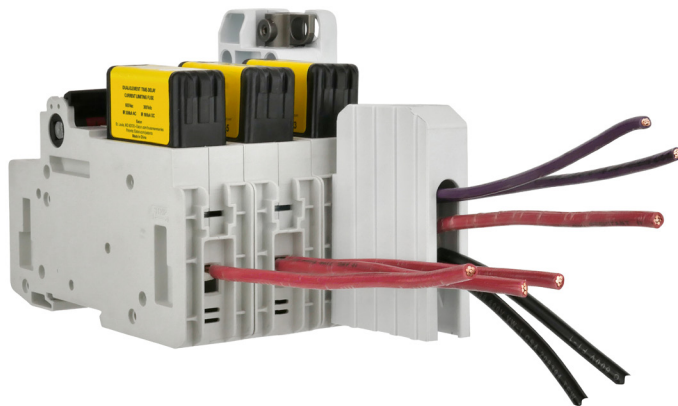


Strip back wire insulation to the lengths as indicated in the illustration above and the table below.

Strip back wire insulation to the lengths as indicated in the illustration above and the table below.

Lug port	Strip wire insulation back (inch)
1	11/16
2	1-1/8
3	1-9/16

Lug port	Strip wire insulation back (inch)
1	11/16
2	1-3/16



Wiring versatility is provided by single/dual rated box lug terminals on the switch, or by the three-port or six-port multi-wire lug kits that are also single/dual wire rated.

200 and 400 A switch multi-wire lug kits

Catalog numbers

- CCP2-MW2-3 (3-port, 200 A switches only)
- CCP2-MW2-6 (6-port, 200 A switches only)
- CCP2-MW6-6 (6-port, 400 A switches only)

Description

The multi-wire lug kits permit expanding the terminal on the switch into a three-port (200 A switches) or six-port (200 and 400 A switches) terminal for power distribution applications.

Each multi-wire lug kit comes with three lugs and a 3-pole terminal shroud. The shroud provides finger-safe protection when properly installed.

Lugs can only be mounted on loadside to meet application needs.

Ports on any one lug accept any conductor combination listed, e.g., one of the ports may have dual 14 AWG wires and the other two ports single 10 AWG wires.

Ratings

- Volts 600 V
- Amps
 - 225 A max (CCP2-MW2-3 and CCP2-MW2-6)
 - 600 A max (CCP2-MW6-6)
- SCCR 200 kA

Agency information

- UL Recognized, Guide WHTY2, File E302370
- RoHS compliant

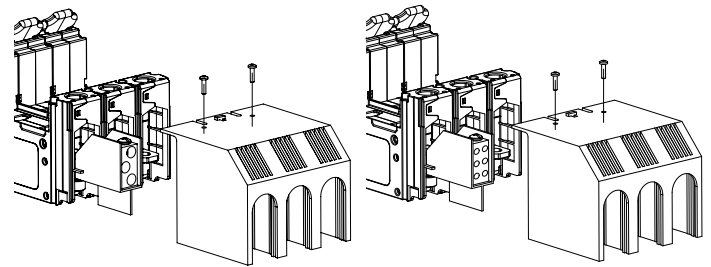
Storage and operating temperature

- -20°C to 75°C (-4°F to 167°F)

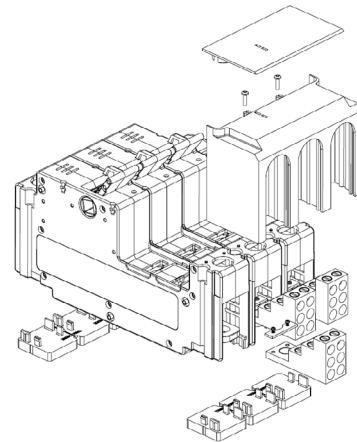
Multi-wire lug conductor information

- 75°C Cu/AL
- AWG size and quantity per port - see table below

Installed on CCD2-3-xx



3- and 6-port multi-wire lugs mounted on 200 A switches



6-port multi-wire lugs mounted on 400 A switches

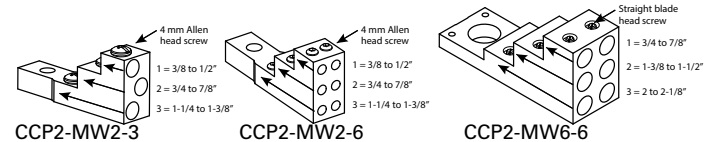
Multi-wire lugs mount on the switch terminals to provide three or six additional wire ports per pole. Lugs to be mounted only on the loadside. Each multi-wire lug kit comes with three lugs, a shroud and mounting hardware.

Catalog no.	Description	Lugs per cat. no.	Wire range AWG (mm ²)	Wire type/ temp.	Conductor torque N·m (lb-in)	Lug mounting screw torque N·m (lb-in)
200 A switches						
CCP2-MW2-3	3-port multi-wire terminal with shroud	3	2-14 (35-2.5)	Cu/Al 75°C	7.9 (70)	10.8 (95)
CCP2-MW2-6	6-port multi-wire terminal with shroud	3	6-14 (16-2.5)	Cu/Al 75°C	2.8 (25)	10.8 (95)
400 A Switches						
CCP2-MW6-6	6-port multi-wire terminal with shroud	3	1/0-14 (50-2.5)	Cu/Al 75°C	$\frac{10-14 = 3.9 (35)}{8 = 4.5 (40)}$ $\frac{4-6 = 5.0 (45)}{1/0-2 = 5.6 (50)}$	22.0 (200)

Carton quantity

Catalog no.	Application	Qty.
CCP2-MW2-3	For 200 A switches only	3 lugs and 1 3-pole shroud
CCP2-MW2-6		
CCP2-MW6-6	For 400 A switches only	

Wire insulation strip lengths



Strip back wire insulation to the lengths indicated in the illustration above and the table below.

Lug kit	Wire insulation strip length (inch)		
	Lug port 1	Lug port 2	Lug port 3
CCP2-MW2-3	3/8 to 1/2	3/4 to 7/8	1-1/4 to 1-3/8
CCP2-MW2-6			
CCP2-MW6-6	3/4 to 7/8	1-3/8 to 1-1/2	2 to 2-1/8

Selector and pistol handles

Catalog symbol

- CCP2-H4X-_1 (selector handle for 30, 60 and 100 A switches)
- CCP2-H4X-_2 (pistol handle for 30, 60 and 100 A switches)
- CCP2-H4X-_3 (short pistol handle for 200 and 400 A switches)
- CCP2-H4X-_4 (long pistol handle for 200 and 400 A switches)

Description

Selector and pistol handles are used with rotary operated switches. Pistol handles for 200 and 400 A switches come in short and long versions. All handles are available in black/grey and red/yellow colors, and clockwise/counterclockwise operating modes. Front and right side operated switches use clockwise handles while left side operated switches use counterclockwise handles.

Installation requires an 8 mm shaft for 30, 60 and 100 A switches and a 12 mm shaft for 200 and 400 A switches (ordered separately).

Each handle is rated Type 1, 4X and 12, and accepts up to three (3) 1/4" diameter shank locks for lockout/tagout in the OFF position. They can also be field configured for lock-on and are defeatable.

Only the clockwise operating handles in combination with front rotary operating switches provide a door interlock means to ensure the enclosure door remains shut during lockout/tagout or lock-on. Rotary handles mounted on the enclosure's left or right side do NOT provide a door interlock means.

See the catalog number table below for applicable rotary switch, handle and shaft combinations.

Handles and shafts for 30, 60 and 100 A switches

For catalog no.	Description/operation	Order handle cat. no.	Order either 8 mm shaft cat. no.
CCD2R-3-30	Right front rotary, clockwise	CCP2-H4X-B1 (selector, black/grey)	CCP2-SH1-290 (11.5"/290 mm) CCP2-SH1-490 (19.3"/490 mm)
CCD2R-3-60		CCP2-H4X-R1 (selector, red/yellow)	
CCD2R-3-100		CCP2-H4X-B2 (pistol, black/grey)	
CCD2RL-3-30		CCP2-H4X-R2 (pistol, red/yellow)	
CCD2RL-3-60	Left front rotary, clockwise	CCP2-H4X-B1 (selector, black/grey)	
CCD2RL-3-100		CCP2-H4X-R1 (selector, red/yellow)	
CCD2S-3-30		CCP2-H4X-B2 (pistol, black/grey)	
CCD2S-3-60		CCP2-H4X-R2 (pistol, red/yellow)	
CCD2S-3-100	Right side rotary, clockwise	CCP2-H4X-B1L (selector, black/grey)	
CCD2SL-3-30		CCP2-H4X-R1L (selector, red/yellow)	
CCD2SL-3-60		CCP2-H4X-B2L (pistol, black/grey)	
CCD2SL-3-100		CCP2-H4X-R2L (pistol, red/yellow)	

Handles and shafts for 200 and 400 A switches

For catalog no.	Order front rotary mechanism cat. no.	Order right/left side rotary mechanism cat. no.	Order front/right side clockwise handle cat. no.	Order left side counterclockwise handles (use only with CCP2-SM) cat. no.	Order either 12 mm shaft cat. no.
CCD2-(poles)-200	CCP2-RM2*	CCP2-SM	CCP2-H4X-B3 (short - black/grey)	CCP2-H4X-B3L (short - black/grey)	CCP2-SH2-225 (8.9"/225 mm)
			CCP2-H4X-R3 (short - red/yellow)	CCP2-H4X-R3L (short - red/yellow)	
CCD2-(poles)-400	CCP2-RM4*		CCP2-H4X-B4 (long - black/grey)	CCP2-H4X-B4L (long - black/grey)	CCP2-SH2-425 (16.7"/425 mm)
			CCP2-H4X-R4 (long - red/yellow)	CCP2-H4X-R4L (long - red/yellow)	

* For three-pole switches only.

Selector handles

Pistol handles – short and long



Agency information

- UL Listed, Guide DIHS/DIHS7, File E140305
- Type 1, 4X and 12
- RoHS compliant
- CE

Storage and operating temperature

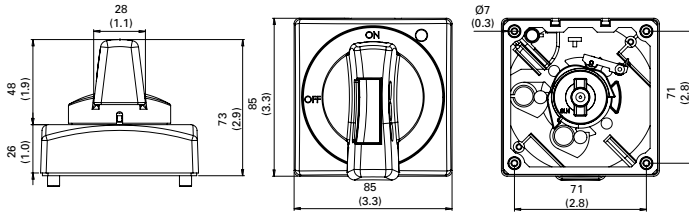
- -20°C to 75°C (-4°F to 167°F)

Carton quantity

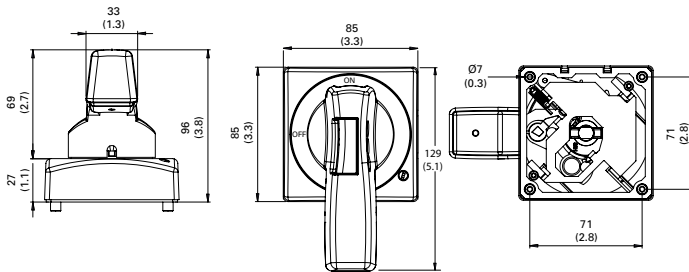
Catalog no.	Description	Qty.
CCP2-H4X-_1	30/60/100 A selector handles	1
CCP2-H4X-_2	30/60/100 A pistol handles	1
CCP2-H4X-_3	200 A short pistol handles	1
CCP2-H4X-_4	200 A long pistol handles	1

Handle dimensions – mm (in)

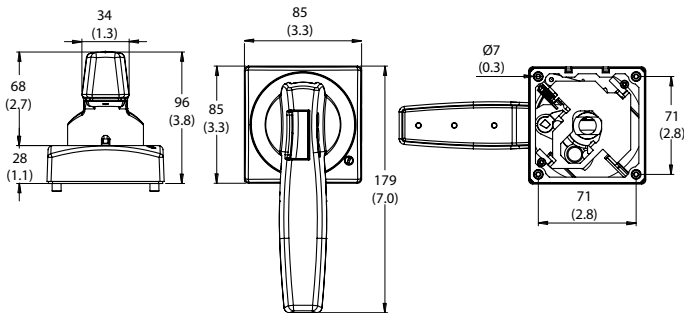
Selector for 8 mm shafts



Short pistol for 8 mm and 12 mm shafts



Long pistol for 12 mm shafts



NFPA 79 compliant handles

Catalog numbers

- CCP2-NFPA-1 (8 mm shafts for 30-100 A switches)
- CCP2-NFPA-2 (12 mm shafts for 200 switches)

Description

NFPA 79 handles mount on the shaft of front rotary operated switch installations and provide a lockout means independent of the door position.

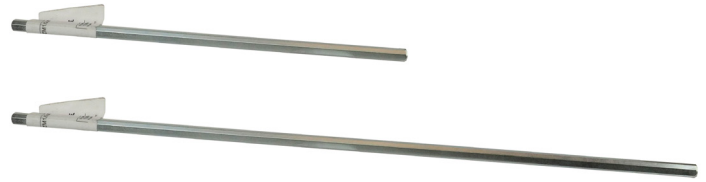
Carton quantity

Catalog no.	Fits shaft size	Qty.
CCP2-NFPA-1	8 mm	1
CCP2-NFPA-2	12 mm	1



Handle shafts

8 mm shafts



12 mm shafts



Catalog numbers

- CCP2-SH1-290 (8 mm, 290 mm long)
- CCP2-SH1-490 (8 mm, 490 mm long)
- CCP2-SH2-225 (12 mm, 225 mm long)
- CCP2-SH2-425 (12 mm, 425 mm long)

Description

Square shafts available in:

- 8 mm square by 290 and 490 mm lengths for 30, 60 and 100 A switches
- 12 mm square by 225 and 425 mm lengths for 200 and 400 A switches

All shafts are indexed to ensure handle/switch orientation for correct operation. Shafts are to be cut to length when installed.

Carton quantity

Catalog no.	Size	Length	Qty.
CCP2-SH1-290	8 mm	290 mm	1
CCP2-SH1-490		490 mm	1
CCP2-SH2-225	12 mm	225 mm	1
CCP2-SH2-425		425 mm	1

Flange handle rod and cable operators

Catalog no.	Description	Rating
30, 60 and 100 amp switches		
CCP2-FLR1	Rod operator with painted handle	Type 1, 3R, 12
CCP2-FLR1X	Rod operator with chrome handle	Type 4X
CCP2-FLC1-36	36" Cable with painted handle	Type 1, 3R, 12
CCP2-FLC1-36X	36" Cable with chrome handle	Type 4X
CCP2-FLC1-60	60" Cable with painted handle	1, 3R, 12
CCP2-FLC1-60X	60" Cable with chrome handle	Type 4X
CCP2-FLC1-120	120" Cable with painted handle	Type 1, 3R, 12
CCP2-FLC1-120X	120" Cable with chrome handle	Type 4X

Catalog no.	Description	Rating
200 and 400 amp switches		
CCP2-FLR2	Rod operator with painted handle	Type 1, 3R, 12
CCP2-FLR2X	Rod operator with chrome handle	Type 4X
CCP2-FLC2-36	36" Cable with painted handle	Type 1, 3R, 12
CCP2-FLC2-36X	36" Cable with chrome handle	Type 4X
CCP2-FLC2-60	60" Cable with painted handle	1, 3R, 12
CCP2-FLC2-60X	60" Cable with chrome handle	Type 4X
CCP2-FLC2-120	120" Cable with painted handle	Type 1, 3R, 12
CCP2-FLC2-120X	120" Cable with chrome handle	Type 4X

Description

Flange rod and cable operators for use on 3-pole CCD switches (cannot be used with 2- or 3-pole 30, 60 or 100 amp switches already having a front or side rotary operating mechanism).

Handles are available in painted versions with Type 1, 3R and 12 ratings or chrome versions with a Type 4X rating.

Cable operators are available with 36, 60 and 120 inch cable lengths.

Agency information

- Type 1, 3R, 4X and 12
- RoHS compliant

Storage and operating temperature

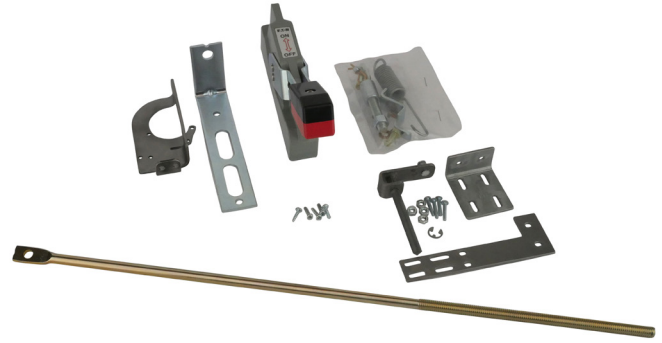
- -20°C to 75°C (-4°F to 167°F)

Packaging

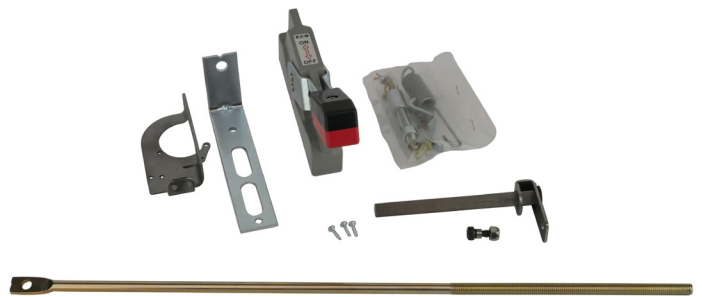
- Each handle is packaged individually as a kit

Carton quantities

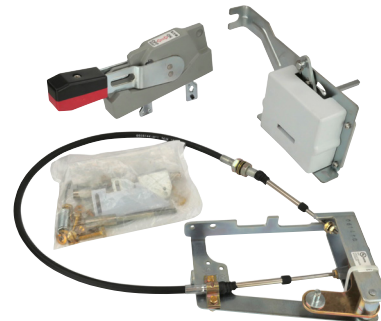
Catalog no.	Switch amps/description	Qty.
CCP2-FLR1_	30/60/100 A rod operator	1
CCP2-FLC1-36_	30/60/100 A 36" cable operator	1
CCP2-FLC1-60_	30/60/100 A 60" cable operator	1
CCP2-FLC1-120_	30/60/100 A 120" cable operator	1
Catalog no.	Switch amps/description	Qty.
CCP2-FLR2_	200 and 400 A rod operator	1
CCP2-FLC2-36_	200 and 400 A 36" cable operator	1
CCP2-FLC2-60_	200 and 400 A 60" cable operator	1
CCP2-FLC2-120_	200 and 400 A 120" cable operator	1



Flange rod operator kit for 100 A switches.



Flange rod operator kit for 200 A and 400 A switches.



Flange cable operator kit for 100 A switches.



Flange cable operator kit for 200 and 400 A switches.

Front rotary mechanisms for 200 and 400 A switches



Catalog numbers

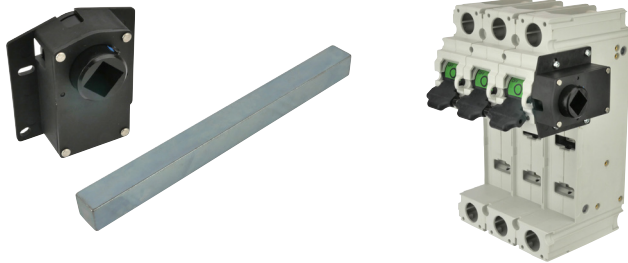
- CCP2-RM2 (3-pole 200 A switches)
- CCP2-RM4 (3-pole 400 A switches)

Description

Front rotary mechanisms for through-the-door operation and install on the front of 3-pole switches only. These units provide at-switch lockout/tagout capability for enhanced safety. Complete installation requires installing pistol handle (short or long) and 12 mm shaft.

Packaged individually.

Side rotary mechanism for 200 and 400 A switches



Catalog number

- CCP2-SM (1-, 2- or 3-pole 200 and 400 A switches)

Description

Side rotary mechanism for through-the-side operation and installs on the left or right side (right side installation recommended) of any 1-, 2- or 3-pole 200 and 400 A switch. The side rotary mechanism does not provide for door interlock nor local lockout/tagout capability. Complete installation requires installing pistol handle (short or long) and 12 mm shaft.

Packaged individually.

Terminal shrouds

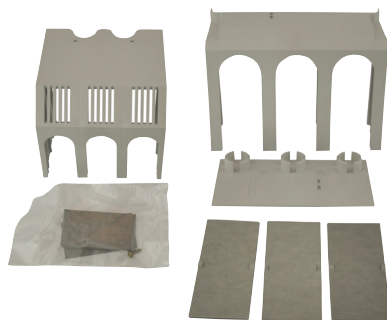
Catalog numbers

- CCP2-TS2-3 (3-pole 200 A switches)
- CCP2-TS6-3 (3-pole 400 A switches)

Description

3-pole shroud kit with shields for isolating the lugs on 3-pole 200 and 400 A switches.

Packaged individually.



Phase barriers

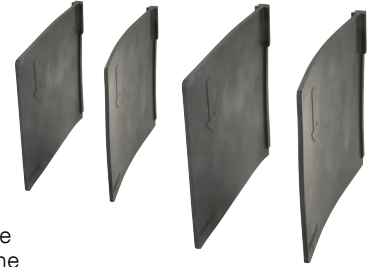
Catalog numbers

- CCP2-PB2 (3-pole 200 A switches)
- CCP2-PB6 (3-pole 400 A switches)

Description

Phase barrier kit with two phase barriers for isolation between the lugs on 3-pole 200 and 400 A switches.

Packaged individually.



Handle extension



Catalog number

- CCP2-HEX (1-, 2- and 3-pole 200 and 400 A switches)

Description

A handle extension to provide additional leverage for operating the switch in installations that do not have rotary mechanisms or flange operators installed. Does not mount on switch, provision for tether provided.

Packaged individually.

Spacer - 400 A Switch

Catalog numbers

- CCP2-SP4 (Adjustable for 1 and 2 poles)

Description

Spacer kit designed to ease installation. Included with all 400 A CCP and CCD orders. Only needs to be ordered separately for replacement purposes.



Auxiliary contacts for 30, 60 and 100 A switches

Catalog numbers

- CCP2-AUX (30 and 60 A switches)
- CCP2-AUX-100 (100 A switches)

Description

NO+NC contact output to indicate the switching mechanism status on the CCD. A single unit can be mounted on any 1-, 2- or 3-pole CUBEFuse CCD switch and the left front/left side rotary operated switches.



Ratings

- 240 Vac max
- 5 A max
- NC/NO contacts are closed/open when the CCD switch is in the "ON" position (closed)

Catalog no.	Switch	Description	Max per CCD2*	Ratings
CCP2-AUX	30/60 A only	Auxiliary contacts N/NC for switch status	1 per CCD2 (1-, 2- or 3-pole)	5 A / 240 Vac
CCP2-AUX-100	100 A only			

* The CCP2-AUX CANNOT be mounted on the right front and right side rotary operated versions, nor installed with the flange handle rod or cable operator. De-energize all circuits and follow all prescribed safety procedures before installing or removing the auxiliary contact device.

Agency information

- UL 98 Recognized, Guide WHTY2, File E155130
- cURus to Canadian Standard 22.2 No. 4-04
- Finger-safe in installed state
- RoHS compliant
- CE

Wiring

- 16-20 AWG (1.5 to 0.5 mm²) single and dual stranded wire
- 20 AWG (1.5 mm²) single and dual solid wire
- Torque 0.56 N•m (5 lb-in)
- Use only 75°C Cu wire

Packaging

- CCP2-AUX and CCP2-AUX-100 are packaged individually

Installation technique

- Mounts on the CCP's right side ONLY and mechanically interlocks with the CCP switch handle with provided hardware. The CCP2-AUX and CCP2-AUX-100 CANNOT be mounted on the right front and right side rotary operated versions, or installed with the flange handle rod or cable operator.

Storage and operating temperature

- -20°C to 75°C (-4°F to 167°F)

Carton quantity and shipping weight

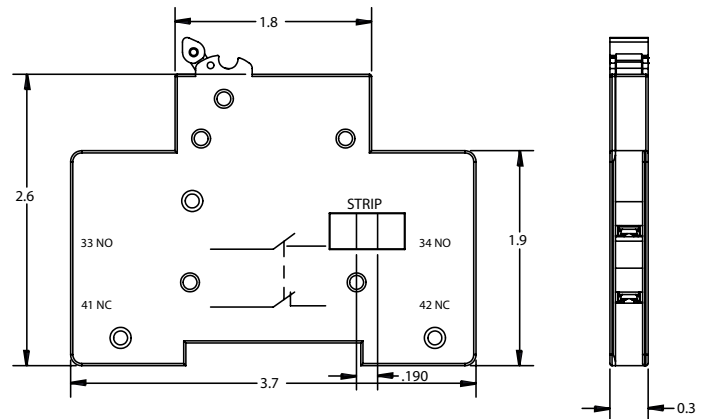
Catalog no.	Application	Qty.	Weight lb (kg)
CCP2-AUX	For 30 and 60 A switches only	1	0.14 (0.063)
CCP2-AUX-100	For 100 A switches only		

Installed on a CCD2-3-xx

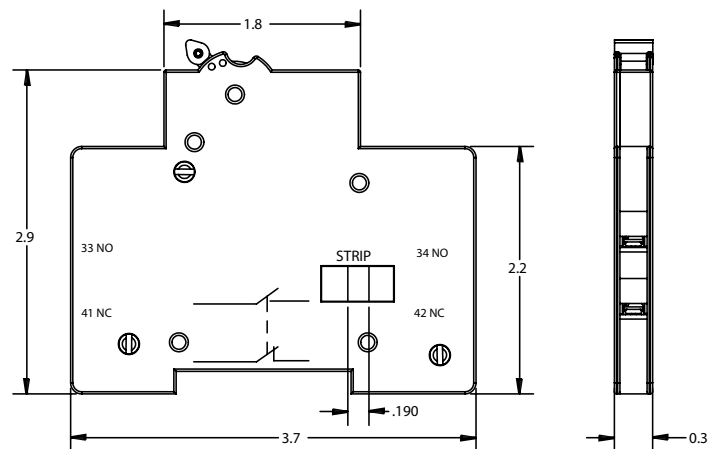
Note: CCP2-AUX and CCP2-AUX-100 CANNOT be mounted on the right front and right side rotary operated versions, nor if a flange handle rod or cable operator is installed.



Dimensions – in



CCP2-AUX



CCP2-AUX-100

Auxiliary contacts for 200 and 400 A switches

Catalog number

- CCP2-AUX-S (200 and 400 A switches)

Description

NO+NC contact output to indicate the switching mechanism status on the CCP. A single unit can be mounted on either side of any 1-, 2- or 3-pole switch (cannot be mounted on the same side as the CCP2-SM side rotary mechanism or the right side if a flange handle rod or cable operator is installed).



Ratings

- 240 Vac max
- 5 A max
- NC/NO contacts are closed/open when the CCD switch is in the "ON" position (closed)

Catalog no.	Switch	Description	Max per CCD2*	Ratings
CCP2-AUX-S	200 and 400 A	Auxiliary contacts NO+NC for switch status	1 per CCD2 (3-pole)	5 A / 240 Vac

* The CCP2-AUX-S CANNOT be mounted on the same side where the side rotary mechanism (CCP2-SM) is installed.
De-energize all circuits and follow all prescribed safety procedures before installing or removing the auxiliary contact device.

Agency information

- UL 98 Recognized, Guide WHTY2, File E155130
- cURus to Canadian Standard 22.2 No. 4-04
- Finger-safe in installed state
- RoHS compliant

Wiring

- 16-20 AWG (1.5 to 0.5 mm²) single and dual stranded wire
- 20 AWG (1.5 mm²) single and dual solid wire
- Torque 0.56 N•m (5 lb-in)
- Use only 75°C Cu wire

Installation technique

- Mounts on either side of the 200 and 400 A switches and mechanically interlocks with the switch's handle with provided hardware. The CCP2-AUX-S CANNOT be mounted on the same side with an installed CCP2-SM side rotary mechanism, or the flange cable/rod operating mechanisms.

Storage and operating temperature

- -20°C to 75°C (-4°F to 167°F)

Packaging

- Packaged individually.







Installed on a CCD2-3-xx

Note: CCP2-AUX-S CANNOT be mounted on the same side as the side rotary mechanism CCP2-SM or the right side if a flange handle rod or cable operator is installed.










30 and 60 A CCD Switches

For a complete assembly, select from the following required and optional components and accessories.

Required	Catalog no.		
	Switches	Amps	Poles
	Switch (used alone or with flange cable or flange rod handles)		
	CCD2-3-30	30	3
	CCD2-3-60	60	
And			
Optional	Lug kits	Description	
		CCP2-MW1-3	3-port multi-wire, 75°C Cu/Al, 6-14, includes terminal shields, pack of 3
And			
Accessories	Terminal shrouds	Description	
		CCP2-TS1-3	Pack of 3
	Auxiliary contacts	Description - mounts on right side, cannot be used with flange rod handle	
		CCP2-AUX	NO / NC, 5 A / 240 V
	Flange cable operator	Description - CCP2-FLC1-xxxx	
		CCP2-FLC1-36	Flange cable system for the 100A and below CCP, available in 36", 60", and 120" cable lengths with either the standard painted option to meet NEMA Type 1, 3R or 12 ratings or a 4X option that provides a chrome plated handle
CCP2-FLC1-36X			
CCP2-FLC1-60			
CCP2-FLC1-60X			
CCP2-FLC1-120			
Flange rod operator	Description - CCP2-FLR1-xxxx		
	CCP2-FLR1-21	Flange rod system for the 100A and below CCP with a cuttable 21" threaded rod with either the standard painted option to meet NEMA Type 1, 3R or 12 ratings or a 4X option that provides a chrome plated handle	
	CCP2-FLR1-21		








30 and 60 A CCD Counterclockwise switches



For a complete assembly, select from the following required and optional components and accessories.

Required	Catalog no.			
	Switches	Amps	Poles	
	Left side rotary			
		CCD2SL-3-30	30	3
		CCD2SL-3-60	60	
	And			
		Rotary handles	Description	NEMA rating
		CCP2-H4X-B1L	Selector handle — black/grey	Type, 4X, 12
		CCP2-H4X-R1L	Selector handle — red/yellow	
		CCP2-H4X-B2L	Pistol handle — black/grey	
CCP2-H4X-R2L		Pistol handle — red/yellow		
And				
	Shafts (8 mm)	Length		
	CCP2-SH1-290	290 mm		
	CCP2-SH1-490	490 mm		
	NFPA 79 compliant handle	Color		
	CCP2-NFPA-1	Red		
And				
Optional		Lug kits	Description	
		CCP2-MW1-3	3-port multi-wire, 75°C Cu/Al, 6-14, includes terminal shields, pack of 3	
And				
Accessories		Terminal shrouds	Description	
		CCP2-TS1-3	Pack of 3	
Accessories		Auxiliary contacts	Description — mounts on right side	
		CCP2-AUX	NO + NC, 5 A / 240 V	

30 and 60 A CCD Clockwise rotary switches






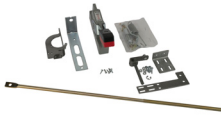
For a complete assembly, select from the following required and optional components and accessories.

Required	Catalog no.			
	Switches	Amps	Poles	
	Right front rotary			
		CCD2R-3-30	30	3
		CCD2R-3-60	60	3
	Left front rotary			
		CCD2RL-3-30	30	3
		CCD2RL-3-60	60	
	Right side rotary			
		CCD2S-3-30	30	3
		CCD2S-3-60	60	3
	And			
		Rotary handles	Description	NEMA rating
		CCP2-H4X-B1	Selector handle — black/grey	Type 1, 4X, 12
		CCP2-H4X-R1	Selector handle — red/yellow	
CCP2-H4X-B2		Pistol handle — black/grey		
CCP2-H4X-R2		Pistol handle — red/yellow		
And				
	Shafts (8 mm)	Length		
	CCP2-SH1-290	290 mm		
	CCP2-SH1-490	490 mm		
	NFPA 79 compliant handle	Color		
	CCP2-NFPA-1	Red		
And				
Optional	Lug kits	Description		
		CCP2-MW1-3	3-port multi-wire, 75°C Cu/Al, 6-14, includes terminal shields, pack of 3	

And			
Accessories		Terminal shrouds	Description
		CCP2-TS1-3	Pack of 3
		Auxiliary contacts	Description — use only with CCD2RL-3-30 and CCP2RL-3-60 switches
		CCP2-AUX	NO / NC, 5 A / 240 V








100 A CCD Switch

For a complete assembly, select from the following required and optional components and accessories.

	Catalog no.		
	Switches	Amps	Poles
Required	Switch (used alone or with flange cable or flange rod handles)		
		CCD2-3-100	100
And			
Optional	Lug kits		Description
		CCP2-MW1-6 CCP2-MW1-3C	6-port multi-wire, 75°C Cu/Al, 6-14, includes terminal shields, pack of 3 3-port, 75°C Cu/Al, 1-14, includes terminal shrouds, pack of 3, useful for control wire setups on the line side of the switch
And			
Accessories	Terminal shrouds		Description
		CCP2-TS1-6	Pack of 3
	Auxiliary contacts		Description — mounts on right side, cannot be used with flange rod handle
		CCP2-AUX-100	NO / NC, 5 A / 240 V
	Flange cable operator		Description - CCP2-FLC1-xxxx
		CCP2-FLC1-36 CCP2-FLC1-36X CCP2-FLC1-60 CCP2-FLC1-60X CCP2-FLC1-120 CCP2-FLC1-120X	Flange cable system for the 100A and below CCP, available in 36", 60", and 120" cable lengths with either the standard painted option to meet NEMA Type 1, 3R or 12 ratings or a 4X option that provides a chrome plated handle
Flange rod operator		Description - CCP2-FLR1-xxxx	
	CCP2-FLR1-21 CCP2-FLR1-21	Flange rod system for the 100A and below CCP with a cuttable 21" threaded rod with either the standard painted option to meet NEMA Type 1, 3R or 12 ratings or a 4X option that provides a chrome plated handle	



100 A CCD Counterclockwise switch



For a complete assembly, select from the following required and optional components and accessories.

	Catalog no.			
	Switches	Amps	Poles	
	Left side rotary			
Required		CCD2SL-3-100	100	3
	And			
		Rotary handles	Description	NEMA rating
		CCP2-H4X-B1L	Selector handle — black/grey	Type 1, 4X, 12
		CCP2-H4X-R1L	Selector handle — red/yellow	
		CCP2-H4X-B2L	Pistol handle — black/grey	
	CCP2-H4X-R2L	Pistol handle — red/yellow		
	And			
		Shafts (8 mm)	Length	
		CCP2-SH1-290	290 mm	
CCP2-SH1-490		490 mm		
	NFPA 79 compliant handle	Color		
	CCP2-NFPA-1	Red		
And				
Optional		Lug kits	Description	
		CCP2-MW1-6	6-port multi-wire, 75°C Cu/Al, 6-14, includes terminal shields, pack of 3	
CCP2-MW1-3C	3-port, 75°C Cu/Al, 1-14, includes terminal shrouds, pack of 3, useful for control wire setups on the line side of the switch			
And				
Accessories		Terminal shrouds	Description	
		CCP2-TS1-6	Pack of 3	
	Auxiliary contacts	Description — mounts on sight side		
	CCP2-AUX-100	NO / NC, 5 A / 240 V		

100 A CCD Clockwise rotary switches

For a complete assembly, select from the following required and optional components and accessories.



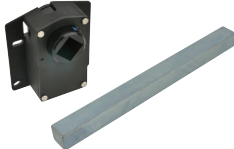




Required	Catalog no.			
	Switches	Amps	Poles	
	Right front rotary			
		CCD2R-3-100	100	3
	Left front rotary			
		CCD2RL-3-100	100	3
	Right side rotary			
		CCD2S-3-100	100	3
	And			
		Rotary handles	Description	NEMA rating
		CCP2-H4X-B1	Selector handle — black/grey	Type 1, 4X, 12
		CCP2-H4X-R1	Selector handle — red/yellow	
		CCP2-H4X-B2	Pistol handle — black/grey	
		CCP2-H4X-R2	Pistol handle — red/yellow	
	And			
	Shafts (8 mm)	Length		
	CCP2-SH1-290	290 mm		
	CCP2-SH1-490	490 mm		
	NFPA 79 compliant handle	Color		
	CCP2-NFPA-1	Red		
And				
Optional		Lug kits	Description	
		CCP2-MW1-6	6-port multi-wire, 75°C Cu/Al, 6-14, includes terminal shields, pack of 3	
		CCP2-MW1-3C	3-port, 75°C Cu/Al, 1-14, includes terminal shrouds, pack of 3, useful for control wire setups on the line side of the switch	

And			
Accessories		Terminal shrouds	Description
		CCP2-TS1-6	Pack of 3
		Auxiliary contacts	Description — use only with CCD2RL-3-100 switch
		CCP2-AUX-100	NO / NC, 5 A / 240 V

Ordering a complete switch installation

200 A CCD switches

For a complete installation, select from the following required and optional components, and accessories.

		Catalog no.				
		Switches	Amps	Poles		
Required		CCD2-3-200	200	3		
	And					
		Lug kits	Description			
		CCP2-L2-1	Stainless steel lug, 75° Cu only, 350 kcmil-4, 1 per pack			
		CCP2-L2-1A	Aluminum lug, 75°C Cu/Al, 350 kcmil-4, 1 per pack			
		CCP2-MW2-3	3-port multi-wire lug, 75°C Cu/Al, 2-14, 3 per pack, includes terminal shroud			
CCP2-MW2-6		6-port multi-wire lug, 75°C Cu/Al, 6-14, 3 per pack, includes terminal shroud				
And						
Optional		Rotary mechanisms	Description			
		CCP2-SM	Side rotary mechanism - mounts on left or right side of 1-, 2- and 3-pole switches			
		CCP2-RM2	Front rotary mechanism - mounts only on 3-pole switches, requires clockwise rotating handle			
	And					
		Rotary handles	Description	Rotation - must match switch rotation	Rating	
			CCP2-H4X-B3	Short pistol handle — black/grey	Clockwise	Type 1, 4X, 12
			CCP2-H4X-R3	Short pistol handle — red/yellow		
			CCP2-H4X-B4	Long pistol handle — black/grey	For use with front rotary mechanism or side rotary mechanism CCP2-SM on the switch's right side	
			CCP2-H4X-R4	Long pistol handle — red/yellow		
			CCP2-H4X-B3L	Short pistol handle — black/grey	Counterclockwise	
			CCP2-H4X-R3L	Short pistol handle — red/yellow		
			CCP2-H4X-B4L	Long pistol handle — black/grey	Use only if installing side rotary mechanism CCP2-SM on the switch's left side	
		CCP2-H4X-R4L	Long pistol handle — red/yellow			
	And					
		Shafts (12 mm)	Length			
		CCP2-SH2-225	225 mm			
		CCP2-SH2-425	425 mm			
	NFPA 79 compliant handle	Color				
		CCP2-NFPA-2	Red			


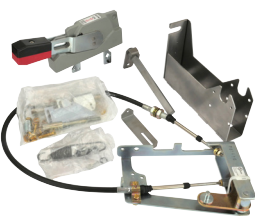
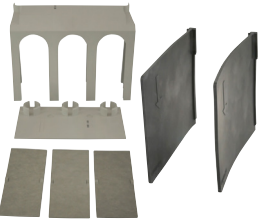


Optional		Or		
		Flange handle rod operator	Description — 3-pole switches only, cannot be used with side or front rotary mechanisms	
		Rating		
		CCP2-FLR2-21	Red/black, painted handle	Type 1, 3R and 12
	CCP2-FLR2-21X	Chrome handle	Type 4X	
		Or		
		Flange handle cable operator	Description - 3-pole switches only, cannot be used with side or front rotary mechanisms	Rating
		CCP2-FLC2-36	36" cable, red/black painted handle	Type 1, 3R and 12
		CCP2-FLC2-36X	36" cable, chrome handle	Type 4X
		CCP2-FLC2-60	60" cable, red/black painted handle	Type 1, 3R and 12
CCP2-FLC2-60X		60" cable, chrome handle	Type 4X	
CCP2-FLC2-120		120" cable, red/black painted handle	Type 1, 3R and 12	
CCP2-FLC2-120X		120" cable, chrome handle	Type 4X	
And				
	Terminal shrouds	Description		
	CCP2-TS2-3	3-pole terminal shroud with phase shields, 1 per pack		
	Phase barriers	Description		
	CCP2-PB2	Phase barriers, 2 per pack		
And				
Accessories		Control wire terminals	Description	
		CCP2-CWK2	1/4" quick-connect control wire terminals - mounts on installed lug (cannot be used with lug CCP2-L2-1 or CCP2-L2-1A), 12 per pack	
		Auxiliary contacts	Description	
		CCP2-AUX-S	NO/NC, 5 A, 240 V - Can be mounted on right or left side	
	Handle extension	Description		
	CCP2-HEX	Handle extension to facilitate operating 1-, 2 and 3-pole switches. Cannot be used when side or front rotary mechanisms or flange handle rod or cable operators are installed.		

Ordering a complete switch installation

400 A CCD switches

For a complete installation, select from the following required and optional components, and accessories.

		Catalog no.				
		Switches	Amps	Poles		
Required		CCD2-3-400	400	3		
	And					
		Lug kits	Description			
		CCP2-L4-1	Stainless steel lug, 75° Cu only, 500 kcmil-3, 1 per pack			
		CCP2-L4-1A	Aluminum lug, 75° Cu only, 500 kcmil-3, 1 per pack			
		CCP2-L4B-3	Stainless steel lug, 75° Cu only, 750-500 kcmil, 3 per pack, includes terminal shroud			
		CCP2-L4B-3A	Aluminum lug, 75° Cu/Al, 750-500 kcmil, 3 per pack, includes terminal shroud			
		CCP2-MW6-6	6-port multi-wire lug, 75° Cu/Al, 1/0-14, 3 per pack, includes terminal shroud			
		CCP2-L6-3	2-port stainless steel lug, 75° Cu only, 500 kcmil-2, 3 per pack, includes terminal shroud			
		CCP2-L6-3A	2-port aluminum lug kit, 75° Cu/Al only, 500 kcmil-2, 3 per pack, includes terminal shroud			
CCP2-L6-3CW		2-port stainless steel lug, 75° Cu only, 500 kcmil-2, 3 per pack, includes terminal shroud with control tab				
CCP2-L6-3ACW	2-port aluminum lug kit, 75° Cu/Al only, 500 kcmil-2, 3 per pack, includes terminal shroud with control tab					
And						
Optional		Rotary mechanisms	Description			
		CCP2-SM	Side rotary mechanism - mounts on left or right side of 1-, 2- and 3-pole switches			
		CCP2-RM4	Front rotary mechanism - mounts only on 3-pole switches, requires clockwise rotating handle			
	And					
		Rotary handles	Description	Rotation - must match switch rotation	Rating	
		CCP2-H4X-B3	Short pistol handle — black/grey	Clockwise	Type 1, 4X, 12	
		CCP2-H4X-R3	Short pistol handle — red/yellow	For use with front rotary mechanism or side rotary mechanism CCP2-SM on the switch's right side		
		CCP2-H4X-B4	Long pistol handle — black/grey			
		CCP2-H4X-R4	Long pistol handle — red/yellow	Counterclockwise		
		CCP2-H4X-B3L	Short pistol handle — black/grey			
		CCP2-H4X-R3L	Short pistol handle — red/yellow	Use only if installing side rotary mechanism CCP2-SM on the switch's left side		
		CCP2-H4X-B4L	Long pistol handle — black/grey			
	CCP2-H4X-R4L	Long pistol handle — red/yellow				
	And					
		Shafts (12 mm)	Length			
CCP2-SH2-225		225 mm				
CCP2-SH2-425		425 mm				
	NFPA 79 compliant handle	Color				
	CCP2-NFPA-2	Red				

Optional		Or		
		Flange handle rod operator	Description - 3-pole switches only, cannot be used with side or front rotary mechanisms	Rating
		CCP2-FLR2-21	Red/black, painted handle	Type 1, 3R, 12
		CCP2-FLR2-21X	Chrome handle	Type 4X
		Or		
		Flange handle cable operator	Description - 3-pole switches only, cannot be used with side or front rotary mechanisms	Rating
		CCP2-FLC2-36	36" cable, red/black painted handle	Type 1, 3R, 12
		CCP2-FLC2-36x	36" cable, chrome handle	Type 4X
CCP2-FLC2-60		60" cable, red/black painted handle	Type 1, 3R, 12	
CCP2-FLC2-60x		60" cable, chrome handle	Type 4X	
CCP2-FLC2-120		120" cable, red/black painted handle	Type 1, 3R, 12	
CCP2-FLC2-120x	120" cable, chrome handle	Type 4X		
And				
Accessories		Terminal shrouds	Description	
		CCP2-TS6-3	3-pole terminal shroud with phase shields, 1 per pack	
		Phase barriers	Description	
	CCP2-PB6	Phase barriers, 2 per pack		
		And		
		Auxiliary contacts	Description	
		CCP2-AUX-S	NO/NC, 5 A, 240 V - Can be mounted on right or left side	
		Handle extension	Description	
	CCP2-HEX	Handle extension to facilitate operating 1-, 2 and 3-pole switches. Cannot be used when side or front rotary mechanisms, or flange handle rod and cable mechanisms are installed.		
		Spacer	Description	
CCP2-SP4		Optional replacement spacers for installation purposes		

The only controlled copy of this data sheet is the electronic read-only version located on the Eaton network drive. All other copies of this document are by definition uncontrolled. This bulletin is intended to clearly present comprehensive product data and provide technical information that will help the end user with design applications. Eaton reserves the right, without notice, to change design or construction of any products and to discontinue or limit distribution of any products. Eaton also reserves the right to change or update, without notice, any technical information contained in this bulletin. Once a product has been selected, it should be tested by the user in all possible applications.

Eaton
1000 Eaton Boulevard
Cleveland, OH 44122
United States
Eaton.com

Bussmann Division
114 Old State Road
Ellisville, MO 63021
United States
Eaton.com/bussmannseries

© 2021 Eaton
All Rights Reserved
Publication No. 10004
July 2021

Eaton and Bussmann are valuable trademarks of Eaton in the US and other countries. You are not permitted to use the Eaton trademarks without prior written consent of Eaton.

CSA is a registered trademark of the Canadian Standards Group
UL is a registered trademark of the Underwriters Laboratories, Inc.

For Eaton's Bussmann series product information, call **1-855-287-7626** or visit: **Eaton.com/bussmannseries**

Follow us on social media to get the latest product and support information.

